

INSTALLATION INSTRUCTIONS



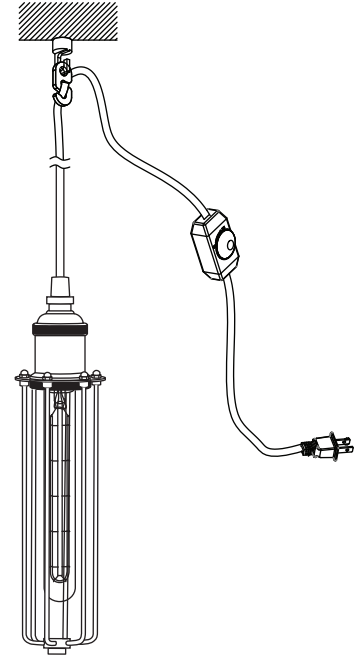
IMPORTANT

Before opening your Lights.com fixture, please make sure that you carefully read through these instruction sheets. Consider having your fixture installed by a qualified licensed electrician.

NOTE: The important safeguards and instructions that appear in this manual are not meant to cover all possible conditions and situations that may occur. It must be understood that common sense, caution and care, are factors that can't be built into any product. This approach must be used by the person(s) caring for and operating the fixture.

GENERAL INFORMATION

All electrical connections must be in accordance with all ordinances, local and national electrical codes.



COLLECTION

Alton

APPLICATION

Pendant

MODEL NO.

LC004405

LC004410

LC004415

LC004420

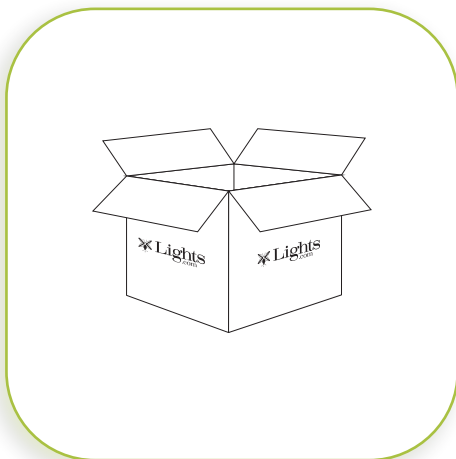
WHAT WE PROVIDE

- Mounting Hardware
- Socket & Cord + Dimmer Set
- Slim Cage
- 1 Swag Hook

WHAT YOU NEED

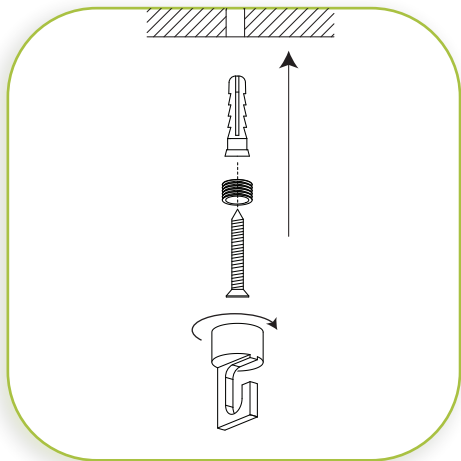
- Phillips & Flat head Screwdrivers
- 1 x 60W E26 Bulb
- Hammer & Nail

STEP BY STEP INSTRUCTIONS



1

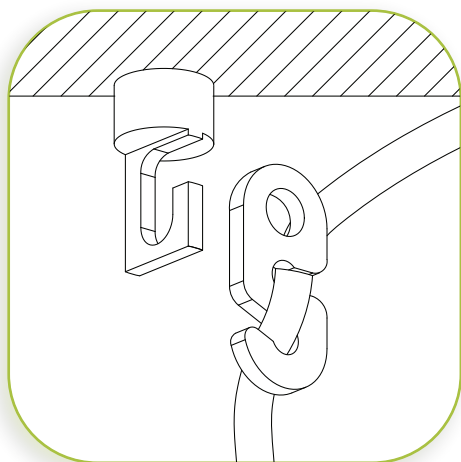
UNPACK YOUR FIXTURE



2

INSTALL SWAG HOOK

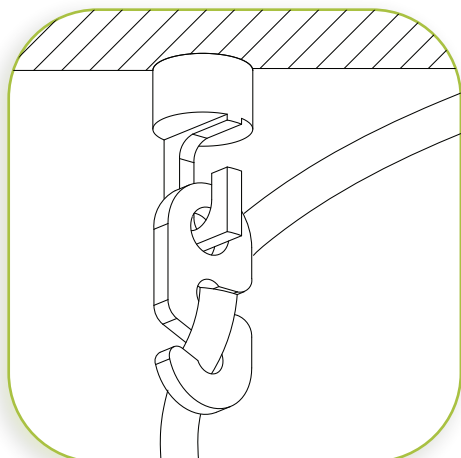
Mark a point in the ceiling where the swag hook is to be mounted. Take a nail and, with a hammer, tap a "pilot hole" into the ceiling at the marked point. **DO NOT** make the hole wider than the anchor. You may also use a drill with a drill bit smaller than the anchor. Place the anchor over the hole and firmly tap it in until the anchor is flush with the ceiling. Mount the threaded nipple to the anchor with the Phillips head screw provided. Install the swag hook onto the threaded nipple and twist to secure.



3

DETERMINE DESIRED HEIGHT

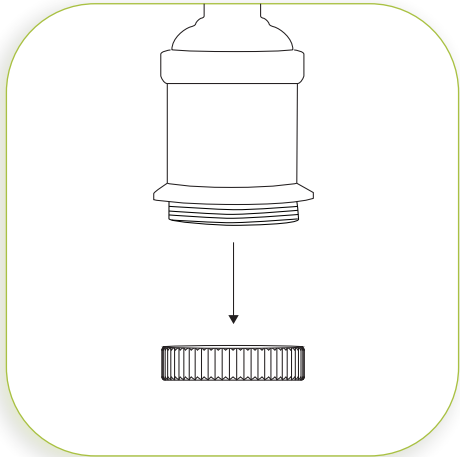
Weave the fixture cord onto the cord clip as shown in the diagram and determine the desired height of the pendant.



4

SECURE FIXTURE CORD

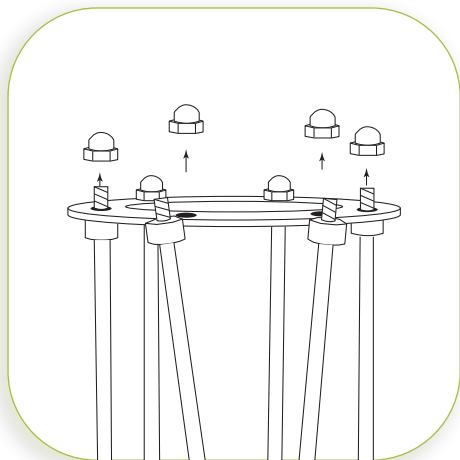
Attach the cord clip onto the swag hook,



5

REMOVING DECORATIVE RING

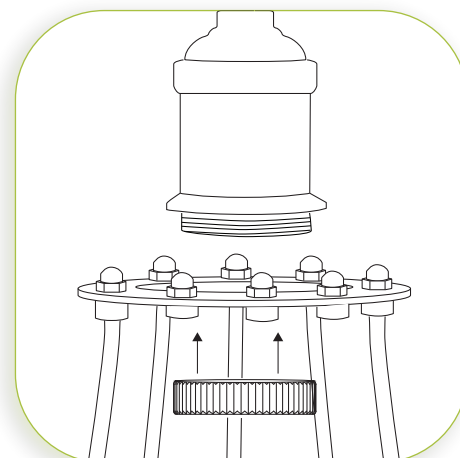
Remove the decorative ring from the socket.



6

OPENING CAGES

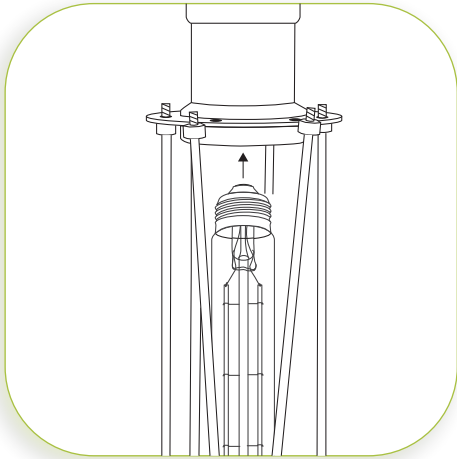
Open cage by removing 4 nuts from the top of the cage. This will allow you to open two of the bars to slide a bulb in. *This is not required if using our Cobble Hill Brooklyn Co. Bulb.



7

ATTACHING CAGE

Attach cage to the socket and secure in place with socket ring.



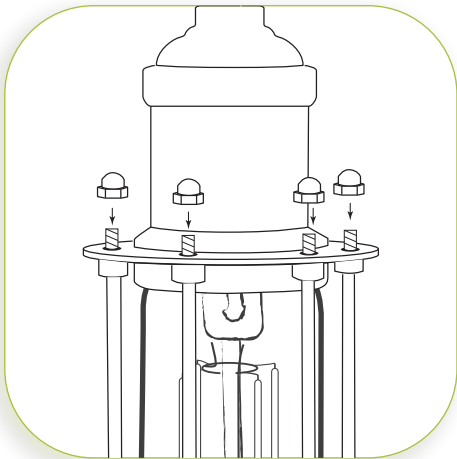
8

INSTALL BULB

Insert bulb into threaded socket.

MAXIMUM WATTAGE 60W.

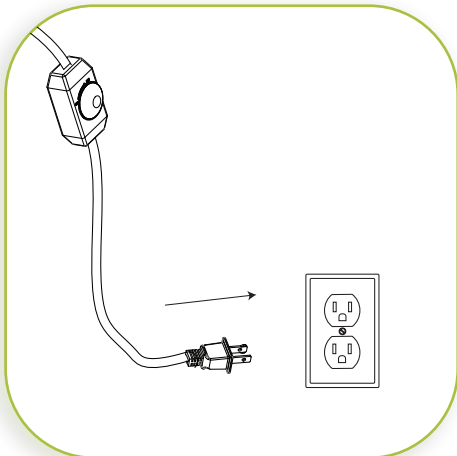
DO NOT EXCEED THE WATTAGE AS STATED ON THE WARNING LABEL.



9

SECURE CAGE BARS

Re-secure the bars of the cages using the nuts removed in Step 6.



10

PLUG IN FIXTURE

DIMMER NOTE

Pendant is equipped with an in-line dimmer switch. Not only does this allow you to create a great ambiance, it allows for energy savings and extends the life of the bulb.